

# Immaculate Conception Catholic School

## Supply List 2019-2020

### 5th Grade

- 1 package low odor Expo markers
- 2 red pens
- 1 dozen No.2 pencils and erasers
- 1 pencil sharpener
- 4 glue sticks
- 2 bottles white glue
- 1 box of crayons,
- 1 box of markers
- 1 box of colored pencils
- 2 highlighters
- 1 five subject notebook
- 6 pocket folders
- 1 pocket folder for Spanish
- 1 single subject notebook for Spanish
- 3 composition books
- 1 pair of Scissors
- 1 Ruler
- 1 Pencil case or bag
- 1 box for art supplies
- 1 pair of headphones
- 1 Texas Instrument TI-30X IIS Scientific Calculator (it must be this model, it costs \$12.99 at Staples and Target and \$22.00 on Amazon)

\*Service hour opportunity\*-These items are in addition to supply list.

1 service hour will be given per every \$20 spent on the following items:

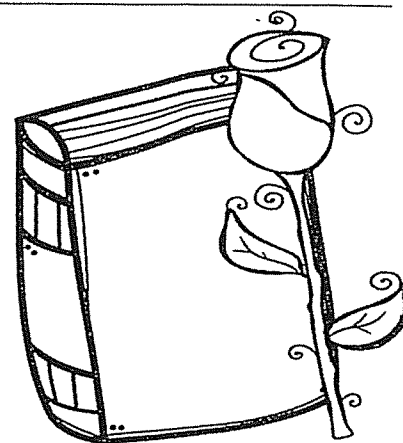
- |                              |                            |
|------------------------------|----------------------------|
| -2 reams of copy paper       | -3 Kleenex Tissue boxes    |
| -3 Clorox disinfecting wipes | - 3 hand sanitizer bottles |
| -2 rolls of paper towels     | -2 boxes baby wipes        |

Name: \_\_\_\_\_


Due Date: \_\_\_\_\_

# Esperanza Rising

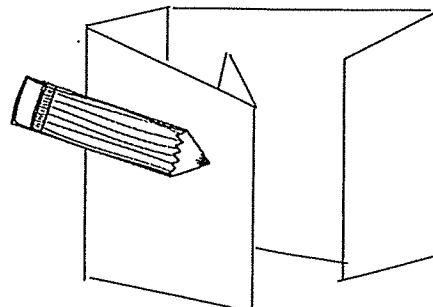
## Book Jacket Project



The purpose of a book jacket is to entice the reader by showing them highlights of the book in words and pictures. Be careful not to give away the entire plot!

	REAR FLAP	BACK COVER	SPINE	FRONT COVER	FRONT FLAP
<b>Designing Your Book Jacket</b>	AUTHOR'S NAME	SUMMARY OF BOOK, BUT DON'T GIVE AWAY THE ENDING!	TITLE OF BOOK	TITLE	BRIEF DESCRIPTION OF MAIN CHARACTER
	SUMMARY OF AUTHOR'S LIFE			AUTHOR'S NAME	CREATIVE ILLUSTRATION
	ILLUSTRATION OF AUTHOR	2-3 QUOTES THAT RECOMMEND OTHERS READ THE BOOK		YOUR NAME	
		PUBLISHER'S NAME BARCODE 			

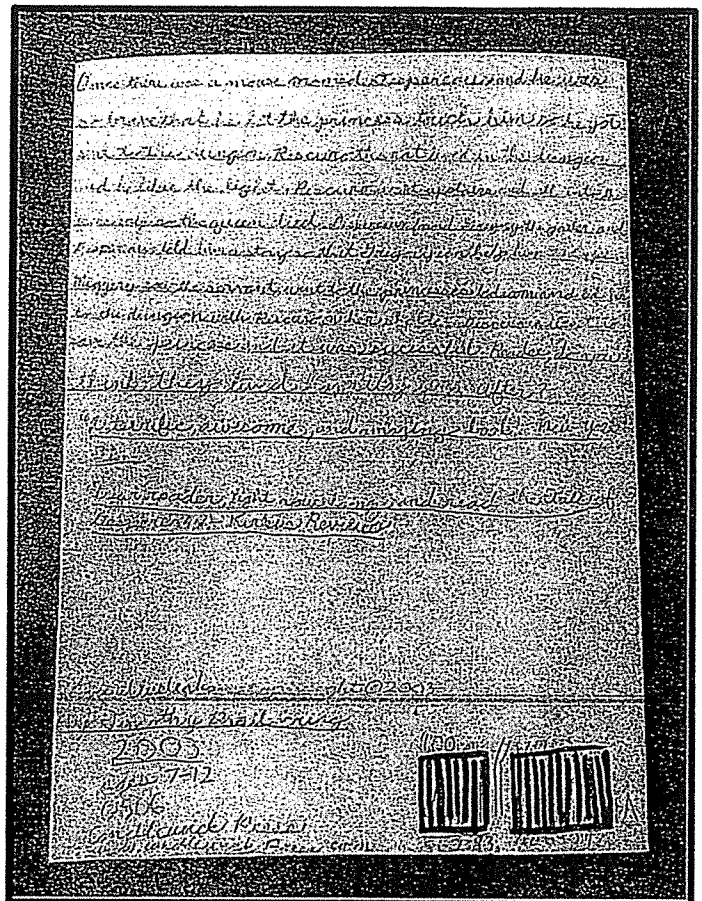
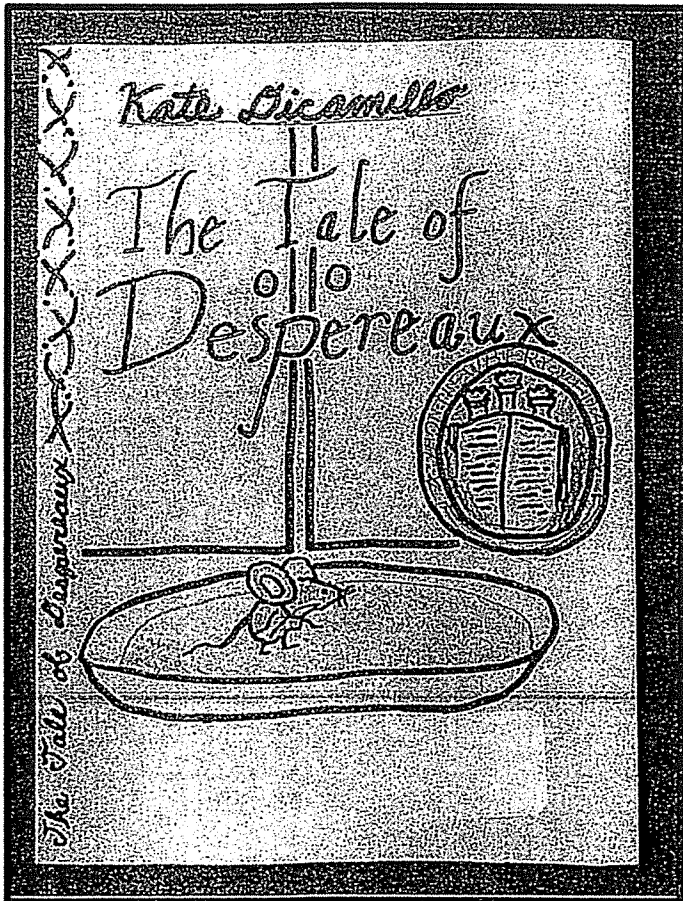
### Make sure to include all necessary components to receive full points!



# Book Jacket Example

Front Cover

Back Cover



Inside Flaps

